

M1 Push-to-Close Latch

Turn-to-open



- Single, round-hole installation
- Flush pop out knob
- Corrosion-resistant materials

Material and Finish

PC/ABS, black, chrome plated or gold colored PVD

Performance Details

Maximum working load:
310 N (70 lbf)

Operating temperature range:
-30°C (-22°F) to 60°C (140°F)

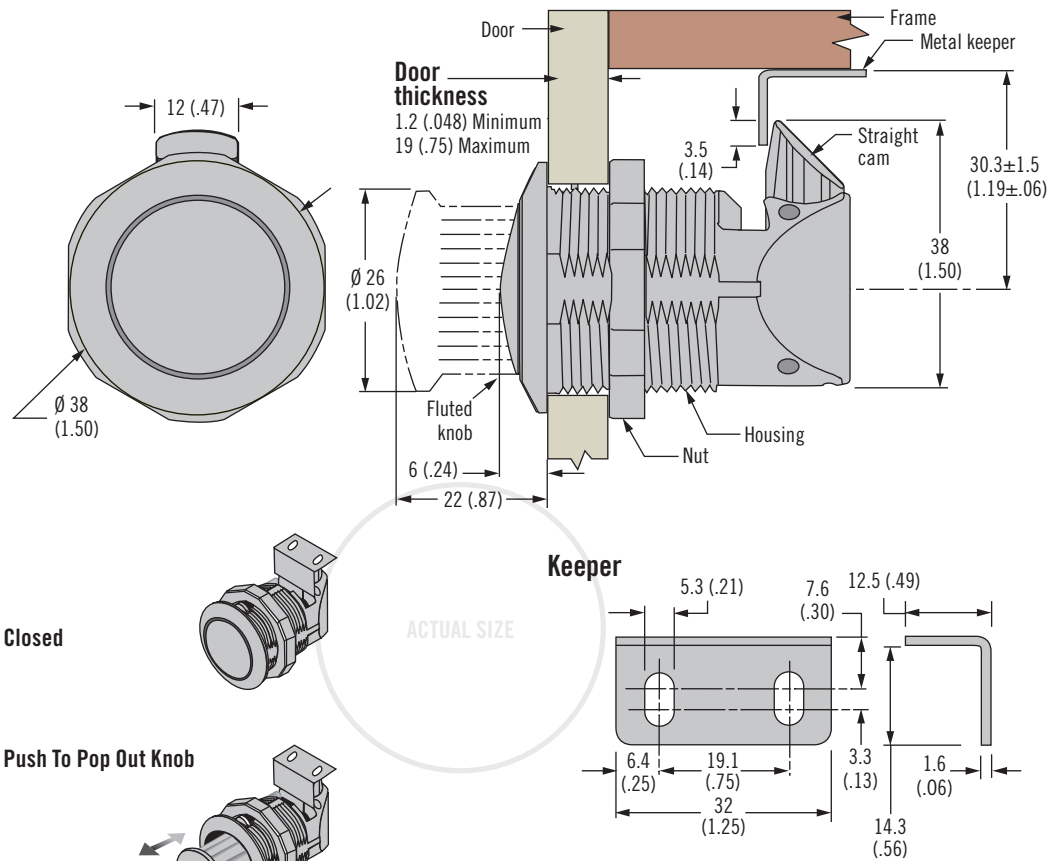
Flammability rating: UL94-HB

Installation Notes

Maximum tightening torque on mounting nut:
4.2 N·m (37 in-lbf)

Accessories

Replacement Keeper
Part number: M1-519-4

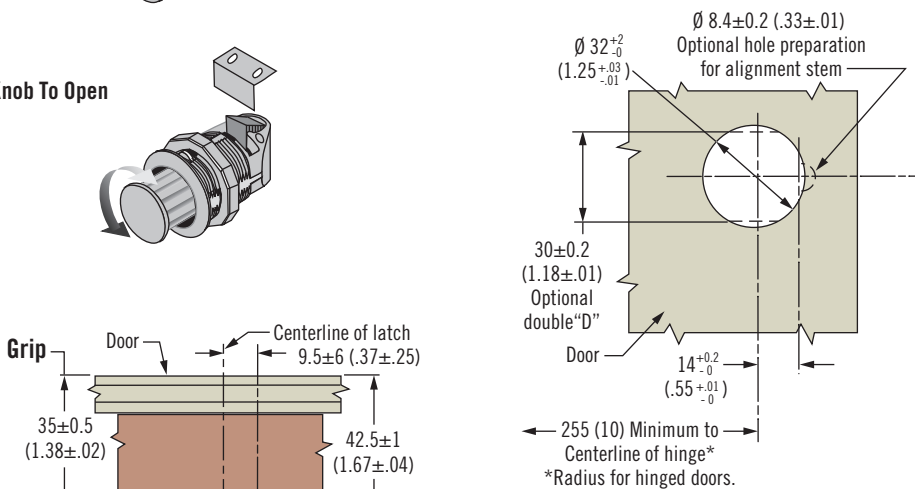


Closed

Push To Pop Out Knob

Turn Knob To Open

Installation



Finish	Part Number
Chrome	M1-2A-13-1
Black	M1-2A-13-5
Gold	M1-2A-13-8

Part Number

See table

Other options available. For complete details on variety, part numbers, installation and specification, go to



www.southco.com/M1B