

**TEMPRESS**  
Since 1972



# TEMPRESS

## ProBax High-Back Series

*New ProBax Orthopedic Seat from TEMPRESS with Patented Dual Foam Technology*

*TEMPRESS has teamed up with leading U.S. Spinal Surgeons and Ergonomic Experts to create the break-through patented ProBax Seat. ProBax is the only seat clinically proven to provide optimal long-term back and upper body support. This seat comes equipped with a patented base and back dual-core foam support system only available through TEMPRESS.*



**WM# 19198043**  
Mfg# 68452  
Gray-Charcoal/Gray/Carbon



**WM# 19198050**  
Mfg# 68453  
Black-Black/Gray/Carbon



**WM# 1919068**  
Mfg# 68454  
White-White/Gray/Carbon



**WM# 19198035**  
Mfg# 68451  
Gray-Blue/Gray/Carbon



**WM# 19198027**  
Mfg# 68450  
Gray-Red/Gray/Carbon



**WM# 19198076**  
Mfg# 68455  
White-White/Blue/Carbon



**WM# 20007654**  
Mfg# 68472  
Black-Black/Charcoal



**WM# 20007662**  
Mfg# 68470  
Tan-Tan/Sand

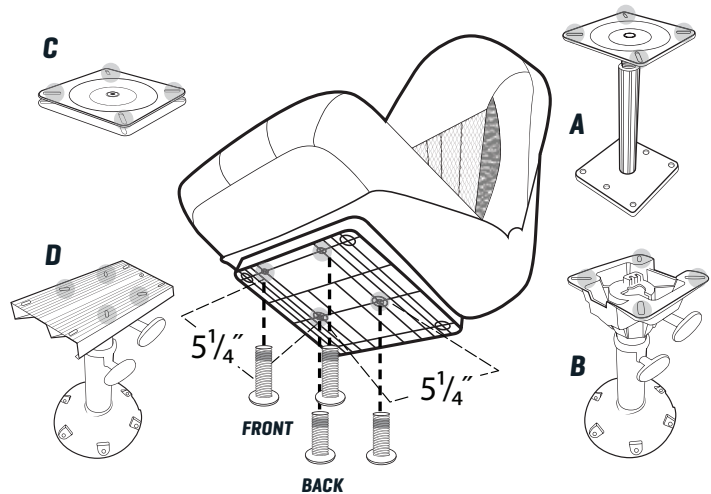
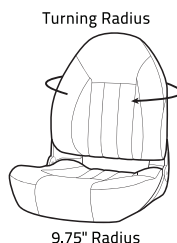
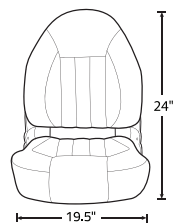


**WM# 20007688**  
Mfg# 68469  
Black-Breakup/Carbon



**WM# 20007670**  
Mfg# 68468  
Black-Shadowgrass/Carbon

*The ProBax high-back is compatible with most standard seat mounts: (a) fixed base, (b) pedestal base, (c) swivel base or (d) slider mount*



**SAVE YOUR BACK....GO PROBAX! Available at  West Marine®**

For additional information or installation videos, go to [www.tempress.com](http://www.tempress.com)

TEMPRESS | DALLAS, TX 75247 USA